

GENERAL NOTES

APPROVAL

PROJECT NAME:

DRAWING TITLE:

105mm Hinged Window

DATE:

MAIN CONTRACTOR

ALUMINIUM CONTRACTOR



**JMS**  
ARCHITECTURE  
& ENGINEERING  
055 6038 032  
www.jmsae.com

PROJECT NO:

SCALE:

SHEET SIZE:

-

A3

DRAWING NO:

SHEET NO:

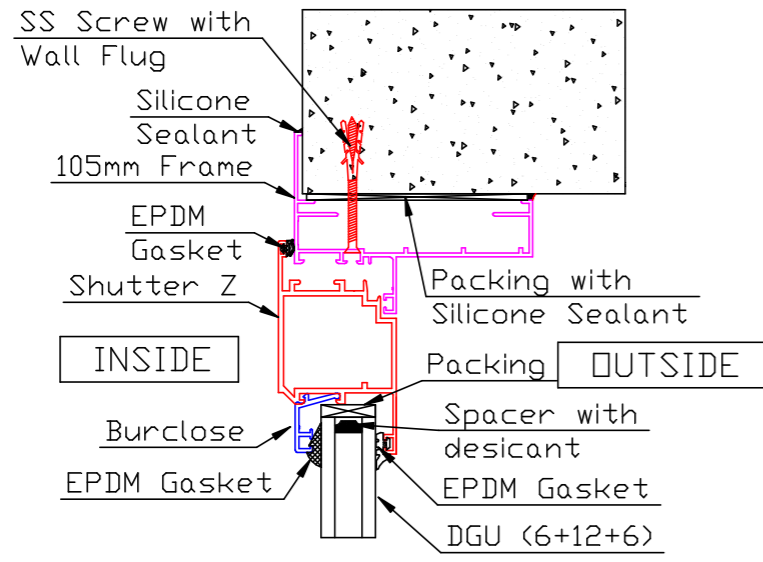
H002

100

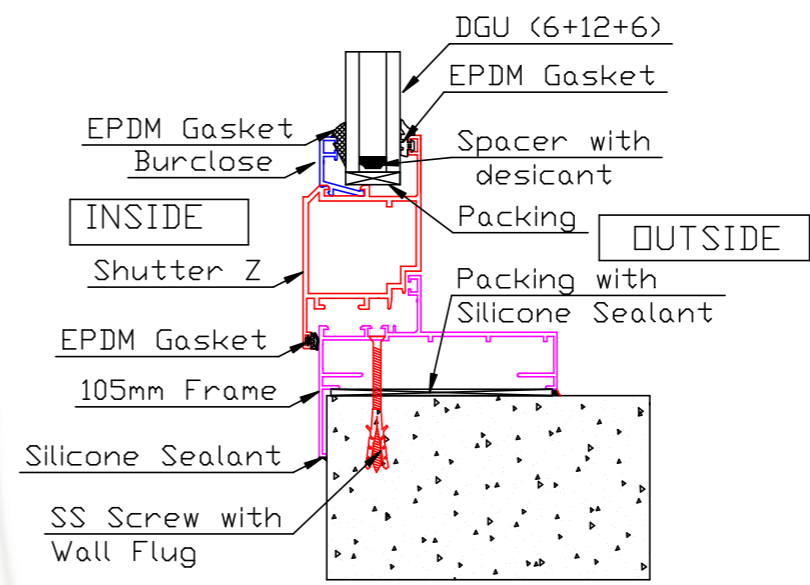
REVISION:

UNIT:

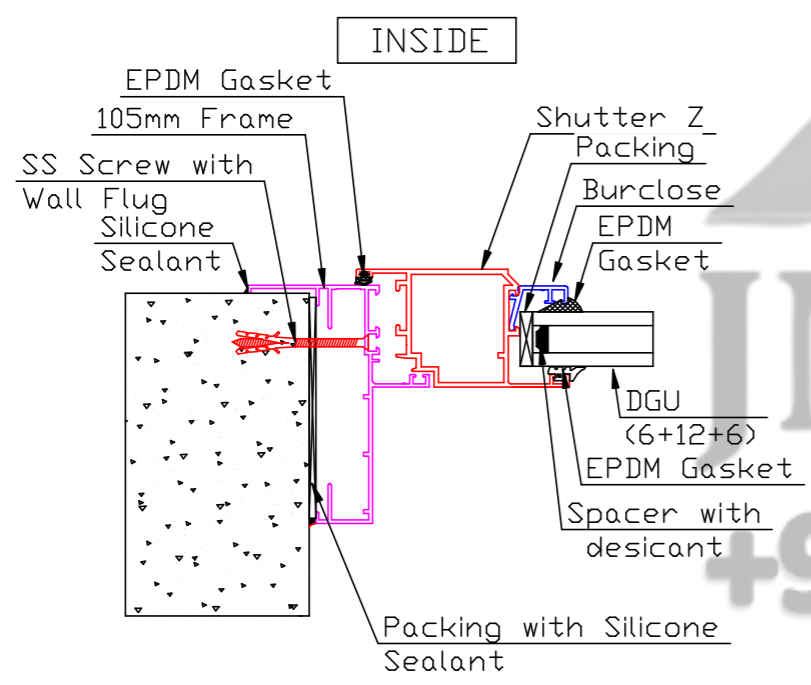
JMS ARCHITECTURE  
& ENGINEERING  
+971 55 6038 032



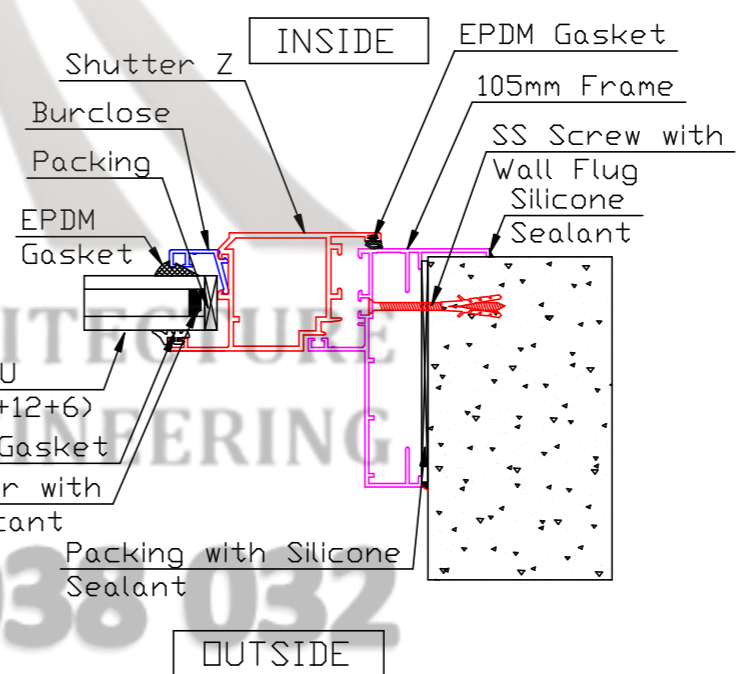
01 DETAIL  
 101



02 DETAIL  
 101



03 DETAIL  
 101



04 DETAIL  
 101

GENERAL NOTES

APPROVAL

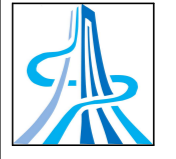
PROJECT NAME:

DRAWING TITLE:  
 105mm Hinged Window

DATE:

MAIN CONTRACTOR

ALUMINIUM CONTRACTOR



**JMS**  
 ARCHITECTURE  
 & ENGINEERING  
 055 6038 032  
 www.jmsae.com

PROJECT NO: SCALE: SHEET SIZE:  
 - A3

DRAWING NO: H002 SHEET NO: 101

REVISION:

UNIT:

IMS ARCHITECTURE & ENGINEERING  
 +971 55 6038 032